

Sink Quadra EVO

Kitchen Sinks

Code: 1255 850



DETAILS

Edge/Installation Type	Undermount
Material	AISI 304 stainless steel
Finish	Foster brushed
Texture	Brushed in line
Base	80 cm
Dimensions	570 x 470 mm
Bowl dimension	530 x 430 mm
Width	57 cm
Built-in hole	View technical data sheet

Number of bowls 1 bowl

Mixer holes No standard holes

Drainer No

Waste fitting 3,5" drain

Standard fittings Fixing hooks, drain, overflow and siphon, boxed packing

Notes: Cad 3D geometries can be provided on request to make grids in the same material as the worktop.

EQUIPMENT

1 x Black Grid 8100 615

FEATURES

Basket 3,5" waste fitting The drain is equipped with a large 3.5" drain, with the practical basket cap that prevents the discharge of solid parts.

Deep bowls This bowls reach an important depth, over 20 cm, thanks to the advanced production technology, that can be offer great capieny and practicity in all the washing operations.

High thickness 1mm thick steel. A significant thickness, which guarantees the maximum sturdiness and durability.

MOULDED BOTTOM The moulded bottom guarantees perfect water flow and facilitates cleaning operations thanks to the perimeter step with sloping walls.

Perimetral overflow

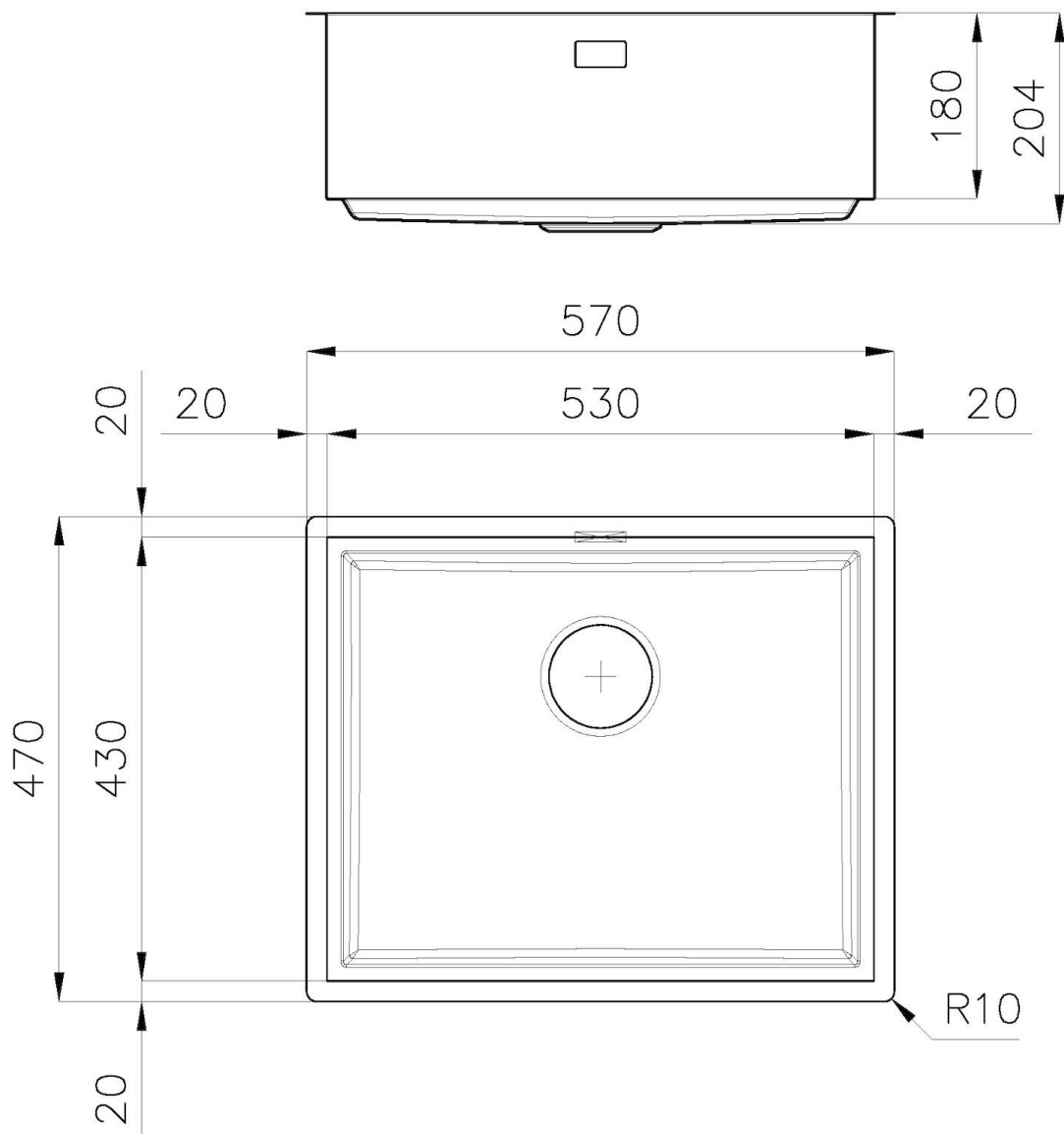
The overflow is always a security on the Foster sinks that prevents the overflow of water in case of oversights. The perimeter drain solution improves aesthetics thanks to its square and essential shape.

Squared bowls - 0 radius

The square bowls of Foster have perfectly squared vertical edges.

TECHNICAL DATA

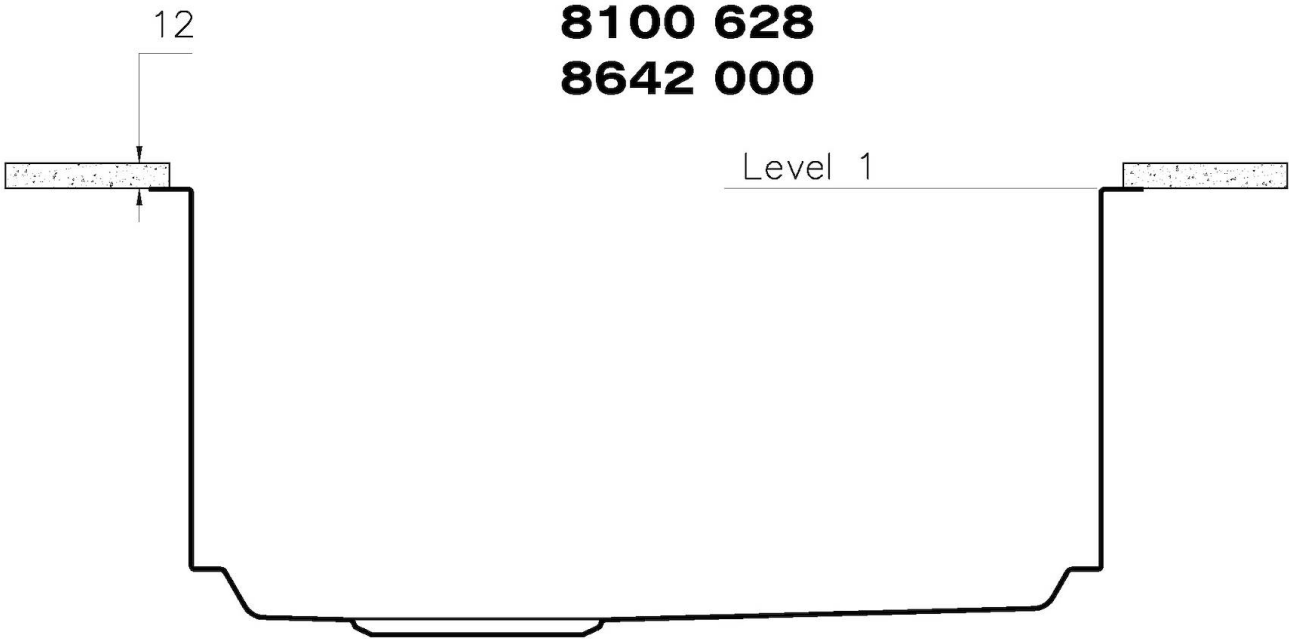
1255/85-



QUADRA EVO Livelli accessori / Level accessories SOTTOTOP / UNDERMOUNT

LEVEL 1:

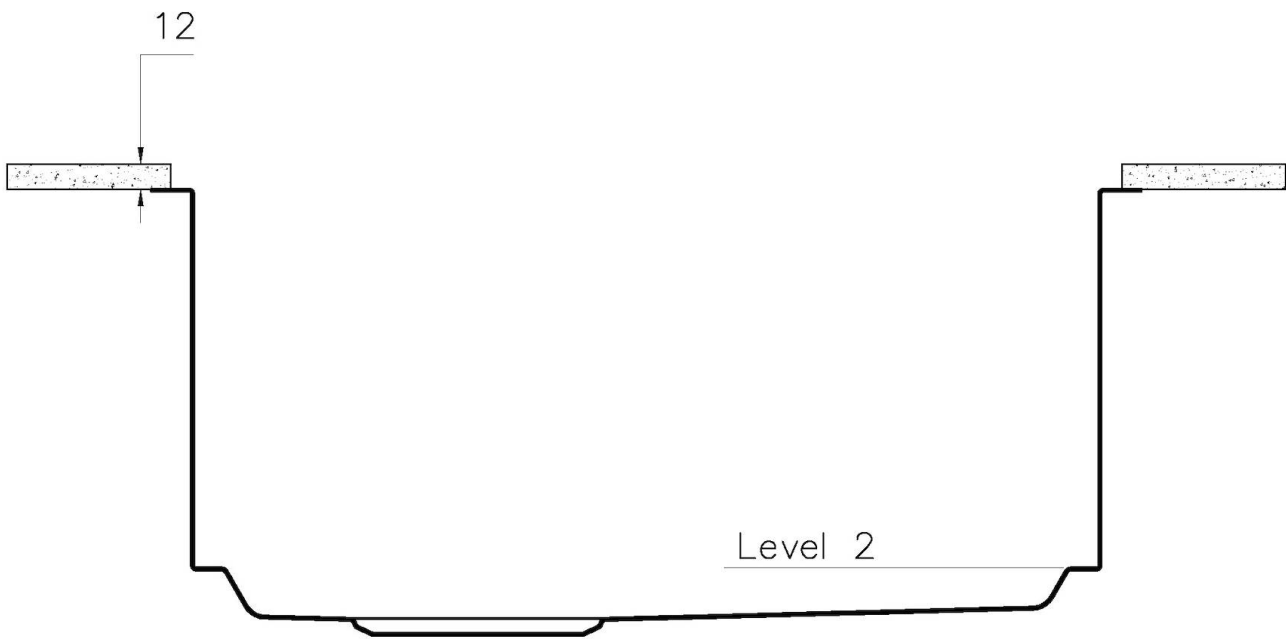
8100 615
8100 614
8100 037
8100 620
8100 621
8100 622
8100 628
8642 000



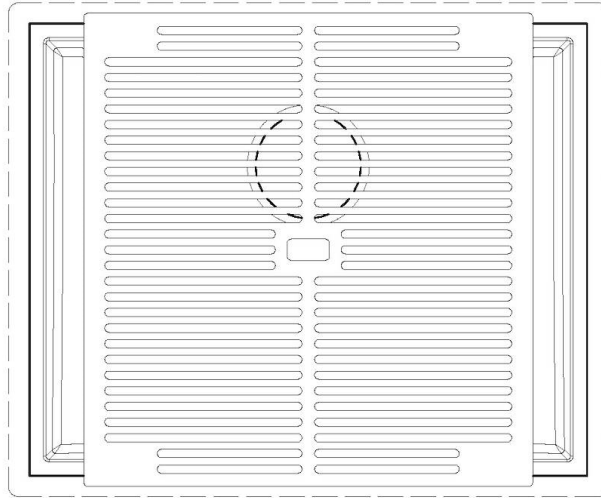
QUADRA EVO Livelli accessori / Level accessories SOTTOTOP / UNDERMOUNT

LEVEL 2:

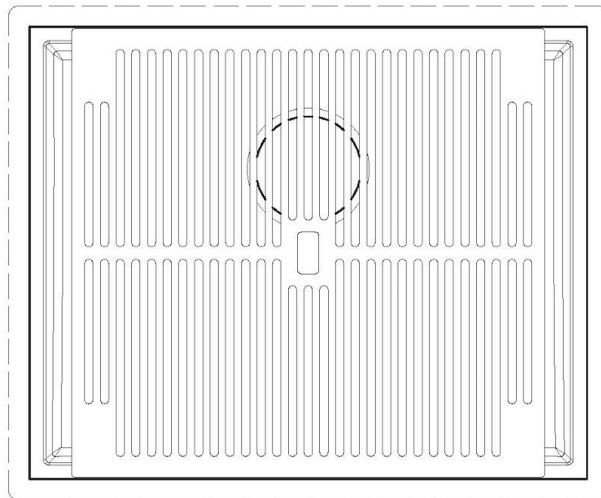
8100 615



1255/85-

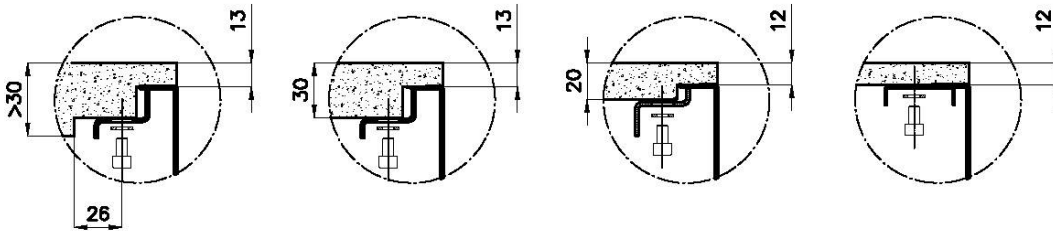


GRIGLIA POSIZIONATA A FILO VASCA / GRID EDGE POSITIONING

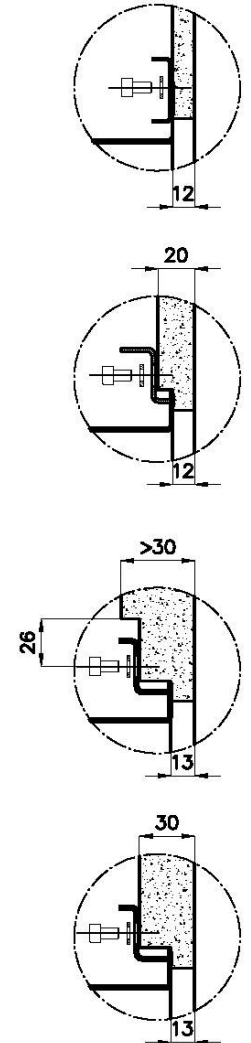
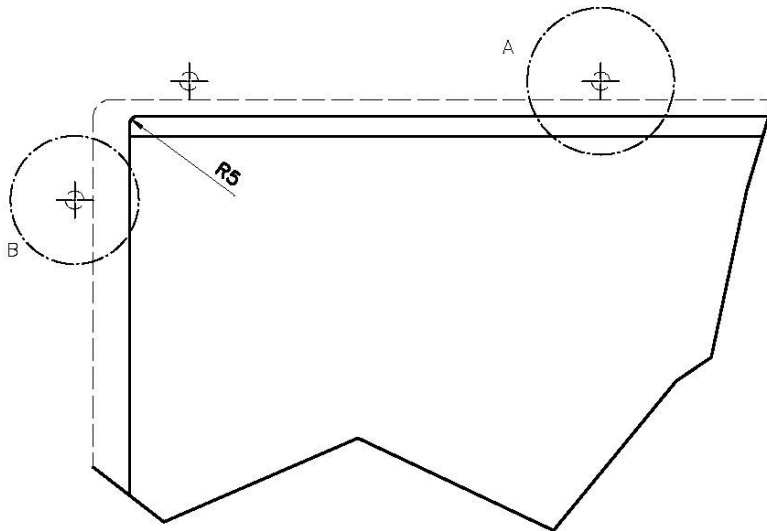


GRIGLIA POSIZIONATA SUL FONDO / GRID BOTTOP POSITIONING

Sottotop/Undermount

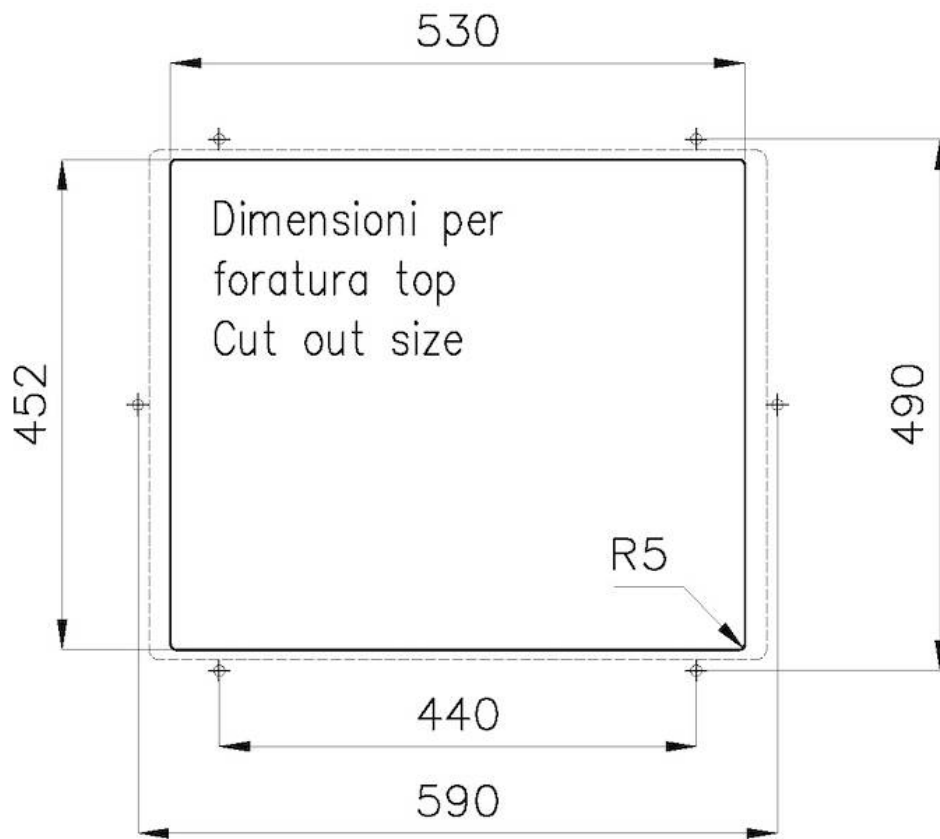


B-B:
 Dettaglio installazione e sistema di fissaggio
 Installation detail and fixing system

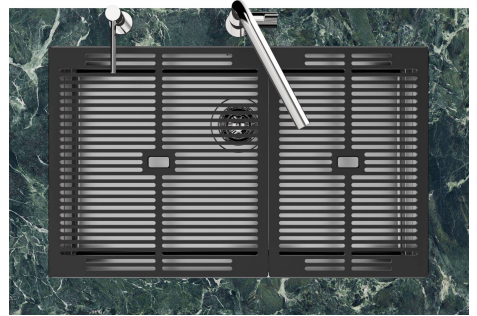
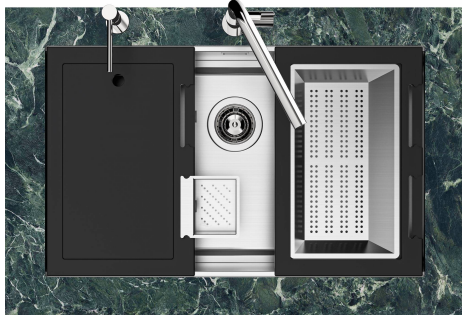
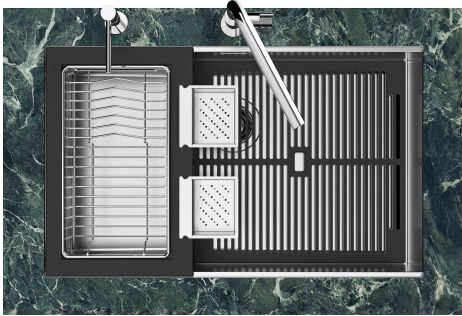
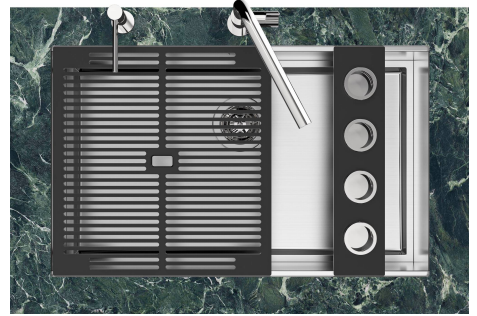
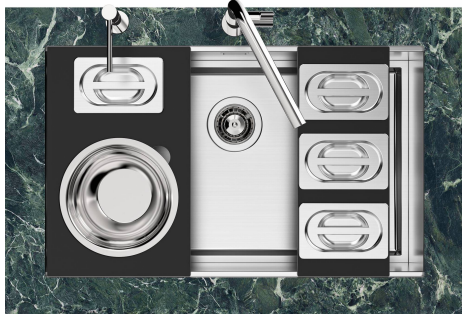
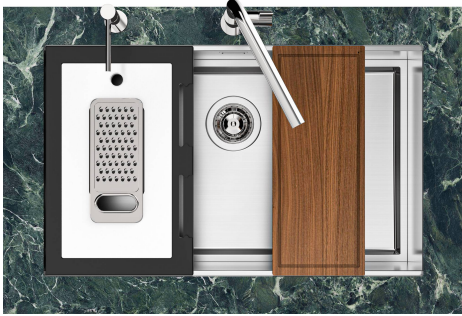
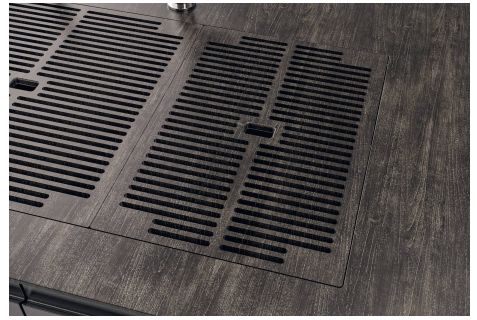


A-A:
 Dettaglio installazione positive reveal e sistema di fissaggio
 Installation detail with positive reveal and fixing system

1255/85-



GALLERY

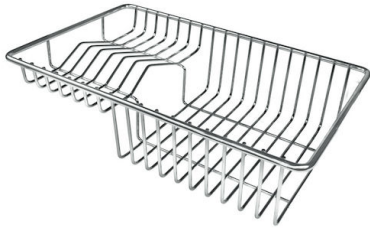


EQUIPMENT



Black grid
8100 615

OPTIONAL ACCESSORIES



Stainless steel plate rack
8100 303



White bowl
8153 100



Stainless steel perforated tray
8151 001



3 Bottles-holder set
8100 621



3 Bowls set
8100 622



4 Spices-holder set
8100 620



Graters kit with ring-holder and food collection tray
8159 101



Kit Black
8100 037



Kit multi-bowl
8100 628



Knives-holder
8100 030
* only in combination with the accessory
8100 621



Stainless steel perforated tray
8151 000



Stainless steel perforated tray PVD Copper
8151 008



**Stainless steel perforated tray PVD
Gold**
8151 009



**Stainless steel perforated tray PVD
Gun Metal**
8151 006



Walnut-wood chopping board
8642 000

OPTIONAL AUTOMATIC WASTE FITTINGS



Automatic waste fitting - PM
8407 113



**Space Light automatic waste fitting
- PL**
8407 117



**Space Push automatic waste fitting
- PP**
8407 116



Space automatic waste fitting - PA
8407 108